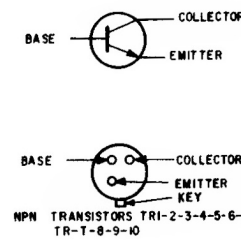
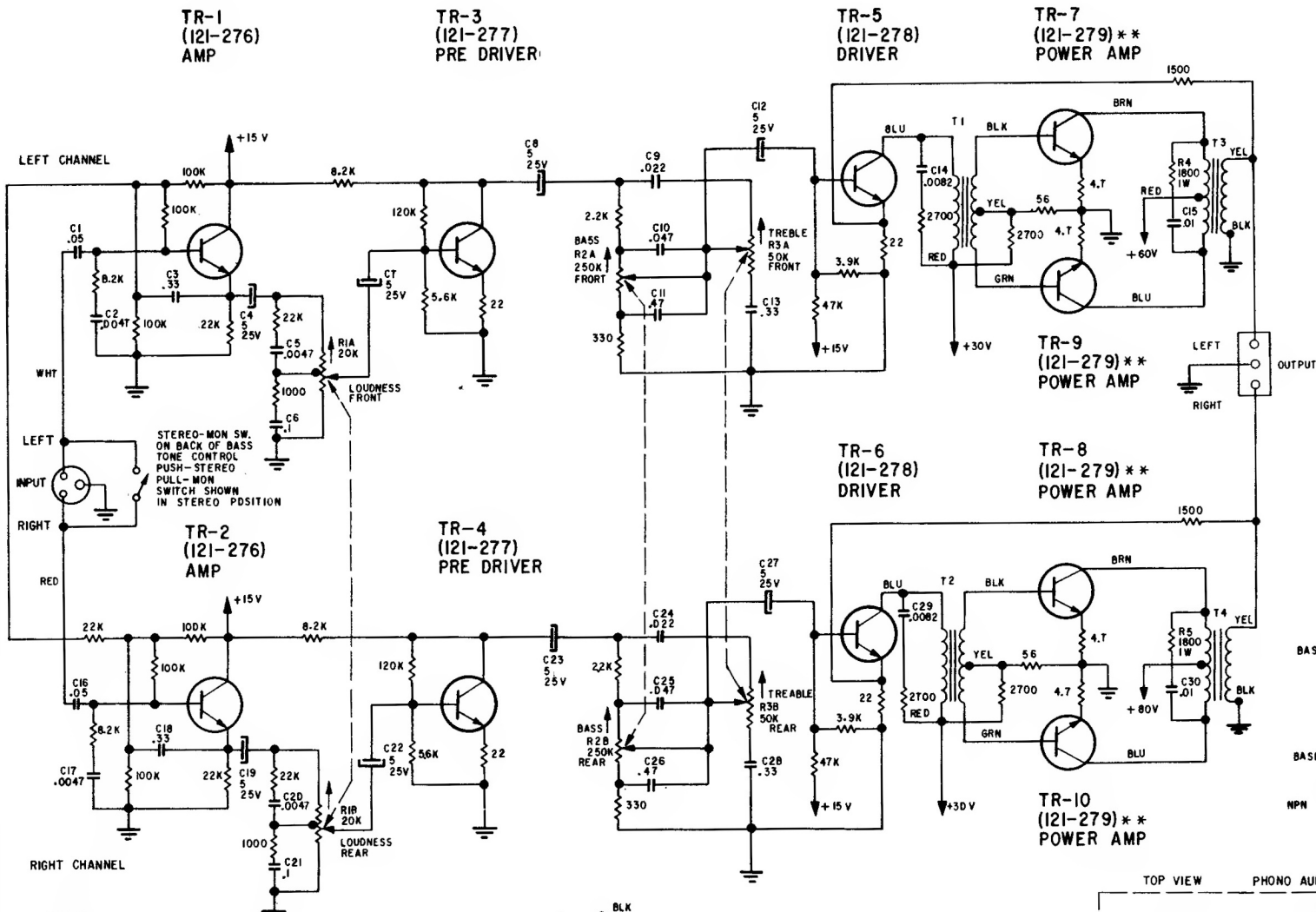
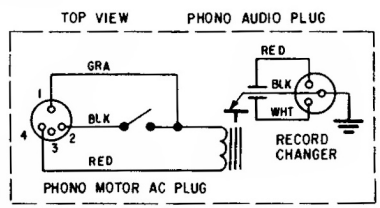
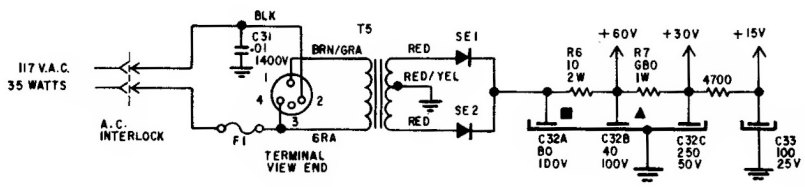


ZENITH Chassis 10L1T20 used in
 Models ML2608-3, ML2610-3,
 ML2636-3, and 7200-3.



NOTES:
 ARROWS ON CONTROLS INDICATE CLOCKWISE
 ROTATION.
 ALL RESISTORS ARE 1/2 WATT, CARBON -10%
 TOLERANCE UNLESS OTHERWISE SPECIFIED.
 ALL VOLTAGES ARE D.C. UNLESS OTHERWISE
 SPECIFIED.
 ALL CAPACITORS ARE IN MICROFARADS UNLESS
 OTHERWISE SPECIFIED.
 D.C. VOLTAGES SHOWN ARE MEASURED FROM
 CHASSIS WITH NO SIGNAL USING A VACUUM TUBE
 VOLTMETER.
 DENOTES CHASSIS.



8 SPEAKER IMPEDANCE 6.4 OHMS.
 * * ALL 121-279 TRANSISTORS IN ANY ONE CHASSIS
 MUST HAVE THE SAME COLOR CODE.

10L1T20 SCHEMATIC FOR MODELS ML2608-3, ML2610-3, ML2636-3 AND 7200-3